



**Cortech
Healthcare**

Innovative products for independent living

KOMOD 

Cortech Healthcare Ltd

www.cortech-healthcare.com

email: info@cortech-healthcare.com

Due to continued improvements we reserve the right to change our product's specifications at any time without further notice.

KOMOD 

Commode Shower Chair



**Cortech
Healthcare**

User Instructions

Important

Read these instructions before use

Manufacturer

Cortech Healthcare Limited
Unit 16A/17A Balderton Court
Balthane Industrial Estate
Ballasalla, Isle of Man IM9 2AJ

Symbols



Read the user manual before use.



Important note.



29VDC

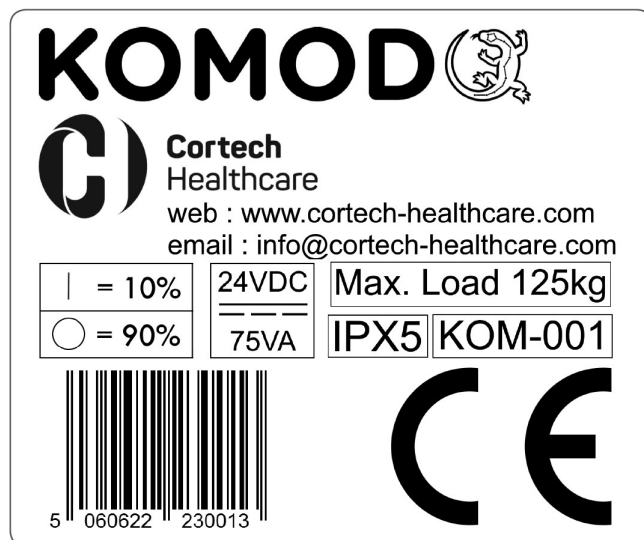
Notes

A large, empty, light gray rectangular area intended for taking notes. It is divided into several horizontal rows by thin white lines, providing a structured space for user input.



Complies with EU Directive 95/16/EC.

For further details see the EU Declaration of Conformity



Contents

Section	Description	Page
1.	Introduction	4
1.1	Description	4
1.2	Safety	4
2.	Use	6
2.1	First Use	6
2.2	Moving the Holster and Anchor.	6
2.3	Components and Parts	7
3.	Operation	8
3.1	Wheel Brakes	8
3.2	Footrests	8
3.3	Armrests	9
3.4	Lap Belt	9
3.5	Seat Movement / Controller	9
4.	Battery	10
4.1	Description of Battery System	10
4.2	Battery Charging	10
4.3	Battery Fitting	11
5.	Mounting/Dismounting	11
5.1	Description of Mounting / Dismounting Features	11
5.2	Mounting	11
5.3	Dismounting	11
6.	Commode / Toilet Function	12
6.1	Description of Commode / Toilet Function	12
6.2	Use of Commode / Toilet Function	12
7.	Shower Function	12
8.	Safety Features	12
8.1	Emergency Stop	12
8.2	Sleep Setting	13
8.3	Battery Indicator	13
9.	Cleaning	13
10.	Storage and Transport	13
11.	Technical Specification	14
12.	Troubleshooting	16
12.1	Cause / Remedy Table	16
12.2	Summary of Indicators	16
13.	Warranty	17

1. Introduction

1.1 Description

The Komodo chair is an assistive commode-shower chair which can be used to help with toileting and washing. During toileting and washing the chair assists the user to mount and dismount the chair from and to a standing position. The Komodo comprises a base frame mounted on locking castors and a seat which can be raised, lowered and tilted for access and use. The seat is operated via a hand held controller which features rise/lower buttons as well as four programmable position buttons. A lap belt is provided and must be fitted when the chair is being used. A calf support is also provided and can be fitted to the footrests if required. Optional accessories include a harness, potty and head-rest.

1.2 Safety

Please read the following safety points carefully before use.

- The Komodo should NOT be used by persons (including children) with reduced sensory or mental capabilities, or lack of experience or knowledge, unless they are supervised by a suitable assistant.
- Children, including those being supervised, should not be allowed to play with the Komodo.
- Ensure that the battery or bung is fitted to the battery holder if using the chair in a wet area.
- Always fit the lap belt supplied when the chair is in use.
- Do not place hands or other appendages near or in the mechanism when the chair is moving.
- Make sure that the user always places their hands on the armrests.
- Be aware of obstacles when moving the seat.
- Do NOT navigate raised kerbs, platforms or steps whilst the seat is occupied.
- When the chair is moving always place the users feet on the footrests and NOT the lower frame.
- When mounting or dismounting from the seat always apply all the wheel brakes.
- When the Komodo is being actuated always apply the wheel brakes first.
- There are no parts (other than accessories) which should be dismantled by the user.
- When moving the chair on its wheels always have the seat in its lowest position.
- Never operate the chair unless it is on a level surface.

13. Warranty

Cortech Healthcare guarantee your Komodo chair against any defects in manufacturing or materials for 2 years from the date of installation. Please ensure you have completed the warranty card enclosed and return to Cortech Healthcare.

If you bought your product via a distributor, they should be your first contact, as they have been trained by Cortech how to assess and correct any defects.

Within the warranty period Cortech Healthcare will decide to repair or replace the product as we may choose.

Failure to activate warranty in the set period will mean potential charges should a visit to site be required by a Cortech Healthcare maintenance engineer. Any action taken under this warranty does not extend the stated 2 year expiry date. Contact information can be located on the back page.

This guarantee is in addition to your statutory and other legal rights. None of the foregoing affects your statutory rights.

Not covered by this warranty:

Damage or defects that result from inappropriate use or accidental damage, incorrect installation, or lack of maintenance including, but not limited to the build-up of grime, dirt, lime scale or water-borne debris.

Damage resulting from inappropriate cleaning, inappropriate cleaning agents or water ingress if the correct cleaning procedure, as outlined in the user manual, is not followed.

Damage resulting from water freezing.

Damage resulting from use outside of the specified performance limits listed in the product specification.

Damage or defects that result from repairs or modifications undertaken by persons who are not authorised installers or Cortech Healthcare service engineers

If you need any advice or if you have any questions please contact the company who supplied you with the product, or Cortech Healthcare directly with your model number and date of purchase.

For technical faults always refer to the trouble shooting guide before contacting your local supplier for assistance.

12. Troubleshooting

12.1 Cause / Remedy Table

If you experience any problems please check through the list below before contacting your supplier or Cortech Healthcare directly.

Problem	Possible cause	Remedy
No power to chair	Flat battery	Charge battery
	Battery not inserted correctly	Check the battery is inserted and the arrow / dot aligned.
	Battery contacts dirty	Check and clean the battery contacts with a clean dry cloth.
Controller does not work	E-Stop button activated	If safe reset the emergency stop
	Controller batteries flat	Replace batteries (3 AA)
	Interference	Remove any other system that emits radio waves
Seat powered but does not move	User too heavy	Check the user is within the specified weight range.
	Chair battery is low	Recharge battery
	Max / min seat position reached	Check position

12.2 Summary of Indicators

Action	Indicators
Main battery low	Controller LED permanently lit red Single long beep
Power connected to chair	Single short beep
Entering program mode	Controller LED's flashing alternate blue
Chair successfully programmed	Controller LED's flash green Single short beep Small seat shake
End of program mode travel reached	Single short beep
Chair entering sleep mode	Single short beep
Chair waking from sleep mode	Two short beeps

- Set the seat to the correct height when positioning over a toilet.
- Do NOT operate the seat whilst moving the chair.
- Do NOT expose the Komodo to water in excess of 43°C.
- Do NOT stand on any part of the Komodo.
- Do NOT sit on the armrests.
- Only use the approved charger and battery with the Komodo.
- Charge the battery in a dry well ventilated place.
- The Komodo should only be used indoors.
- If the charger or cable become damaged they must not be used and should be replaced.
- If the Komodo is damaged in transit or use the chair should not be used, you should contact your supplier or Cortech Healthcare directly.
- Ensure the armrests are in the lowered horizontal position when the chair is moving.
- The Komodo must not be moved over slopes of more than 10°.
- Fit the lanyard, holster and anchor point before use.
- When removing and replacing either the battery or bung ensure the area around the battery housing is dry.



The Komodo should only be used by persons who have been trained and are experienced.

Making any changes to the Komodo could affect its safety and will invalidate the warranty.

2. Use

2.1 First Use

Before you use the Komodo please check that all the components shown in section 2.3 are present. If there is anything missing please contact your supplier or Cortech Healthcare directly.

The holster and lanyard anchor can be moved to the other side of the chair—see section 2.2.

Ensure the battery is charged and fitted—see section 4.

Program the controller buttons to the correct positions—see section 3.5

Position the footrests in the desired location—see section 3.2

Position the armrests to the desired height—see section 3.3

If you have ordered any accessories separately to the chair fit these—see accompanying instruction manuals.

2.2 Moving the Holster and Anchor.

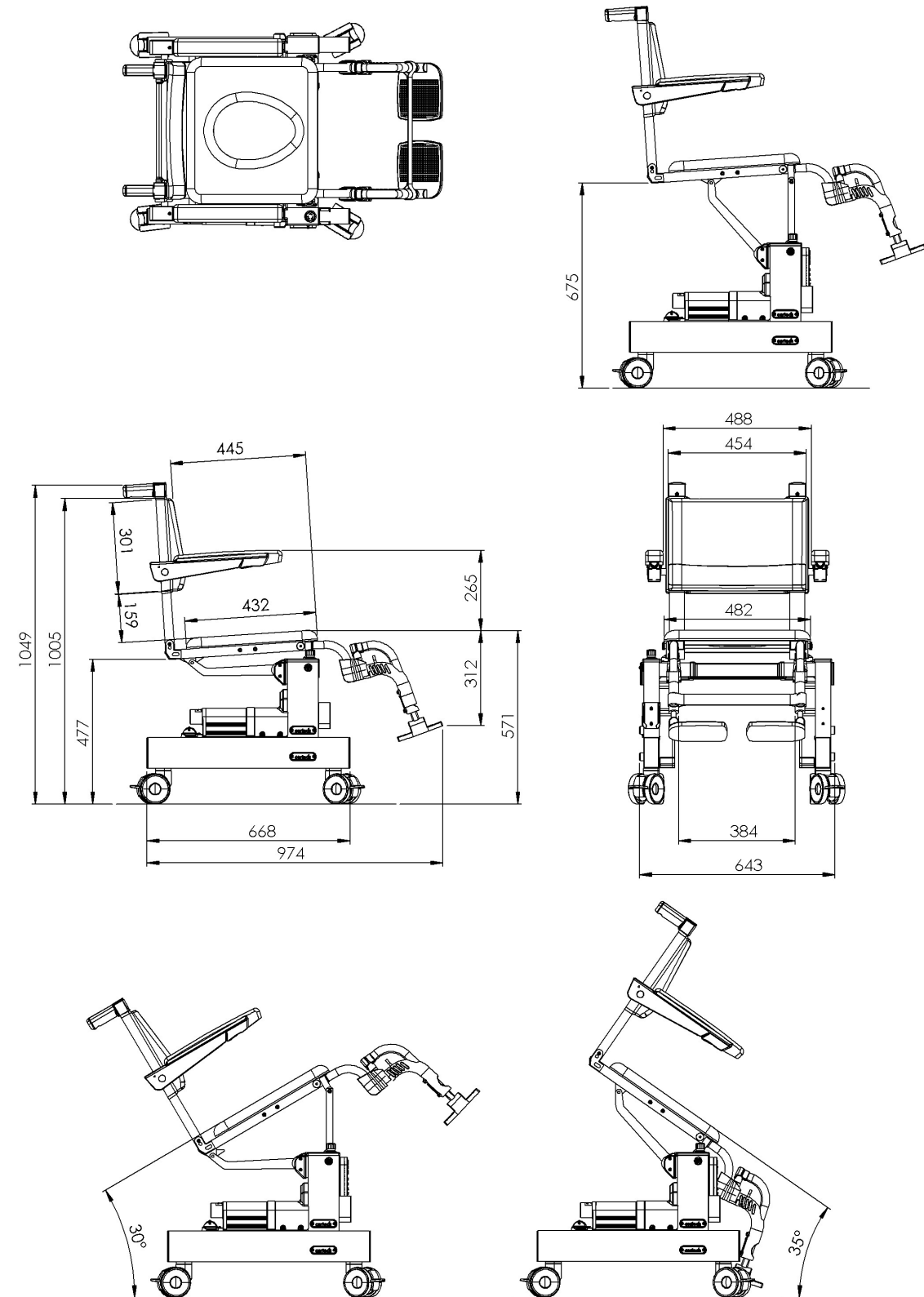
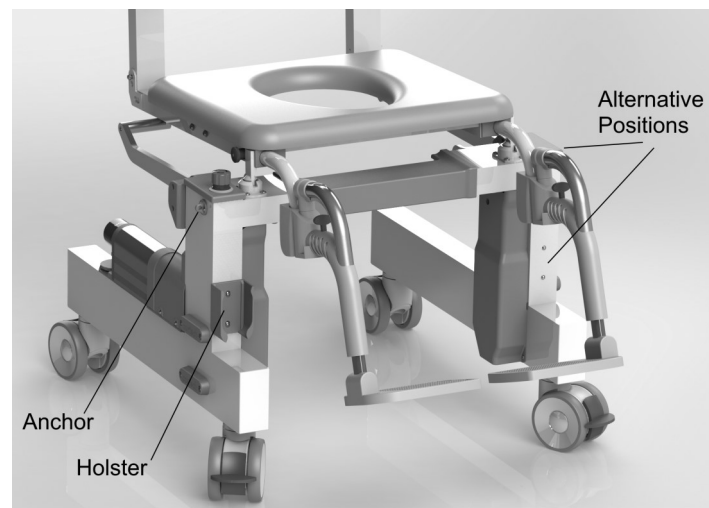
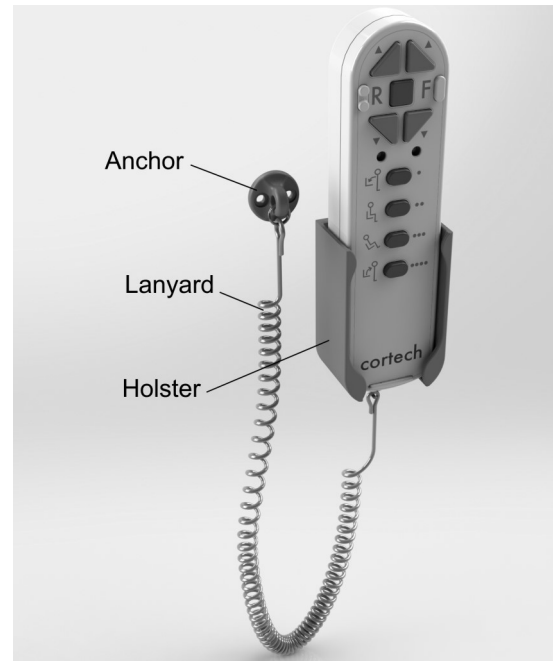
The remote control can be placed into the holster when not in use.

The holster and lanyard anchor can be repositioned to either side of the Komodo.

- Using a 2.5mm allen key remove the blanking screws from the new location—retain these screws.
- Remove the holster and anchor from the current position—retain the screws.
- Fit the holster and anchor to the new location using the original screws.
- Fit the blanking screws to the holes in the original mounting position.

Take care not to overtighten the screws.

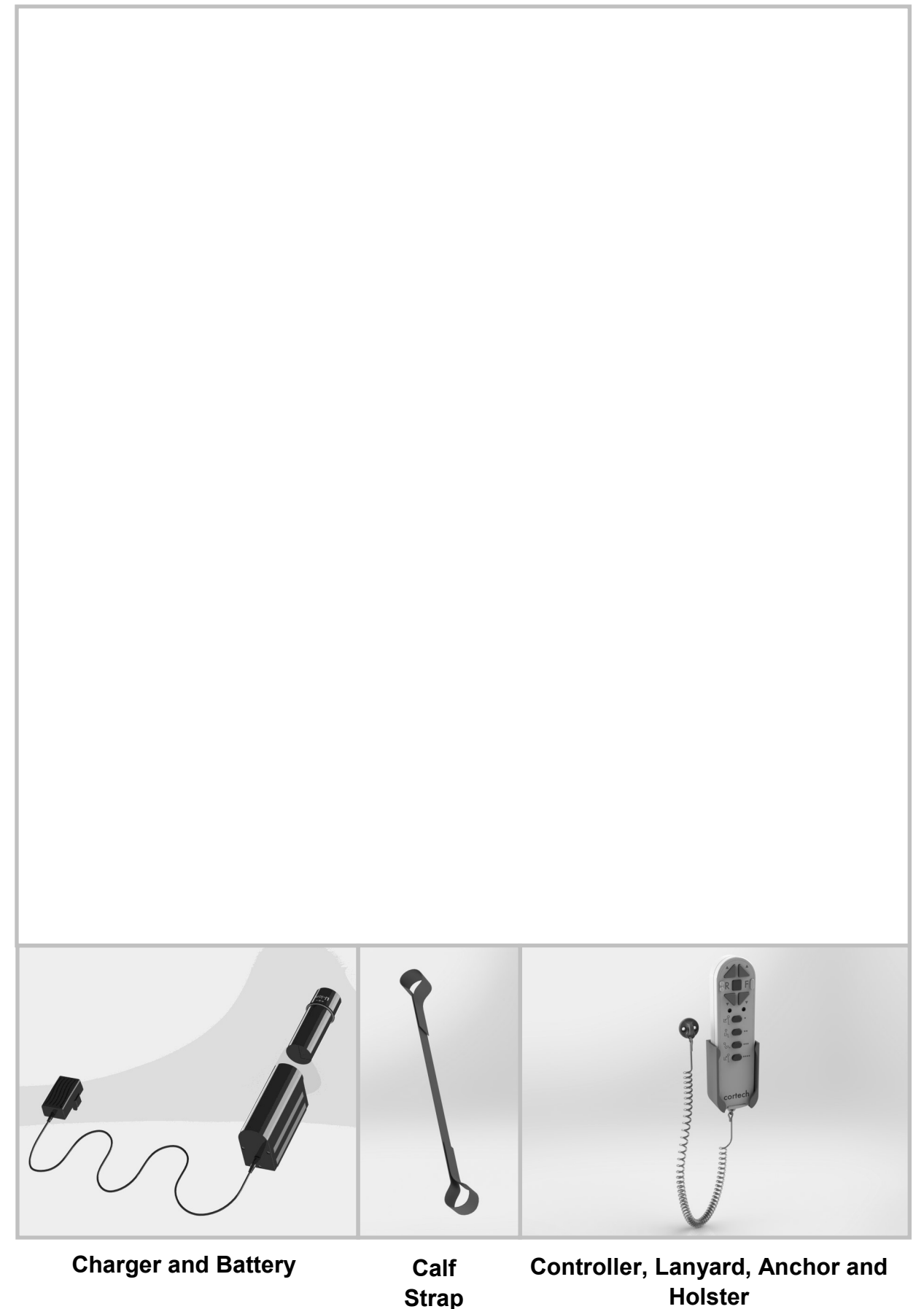
Always have the lanyard and anchor points connected to the Komodo—this prevents the chair being operated unsighted.



11. Technical Specification.

Frame	Powder coated aluminium
Actuator levers and pivots	Stainless steel
Covers and handles	Plastic PET-G
Seat base	432mm
Seat back pad	Plastic PU
Seat back moulding	Plastic ABS
Arm rest pads	Plastic PU
Weight	30kg
Total width	643mm
Total height when lowered	1049mm
Minimum seat clearance	477mm
Minimum seat height	571mm (front edge)
Maximum seat height	769mm (front edge)
Maximum seat load	125kg
Maximum armrest load	50kg
Battery voltage	24VDC—29VDC
Battery capacity	2.1Ah
Battery type	Li-ion
Charger input	100VAC– 240VAC
Charger output	29.4VDC/500mA

2.3 Components and Parts



Charger and Battery

Calf Strap

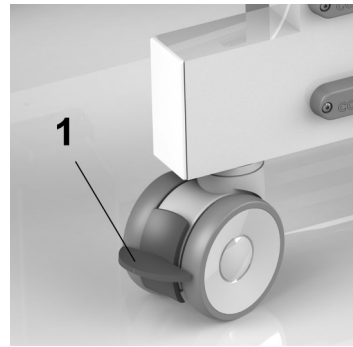
Controller, Lanyard, Anchor and Holster

3. Operation

3.1 Wheel Brakes

The Komodo has four wheels each of which is fitted with a brake, the brake locks the wheel from rotating and turning.

To apply the brake press the red lever (1) down, to remove the brake the lever (1) is lifted upwards.

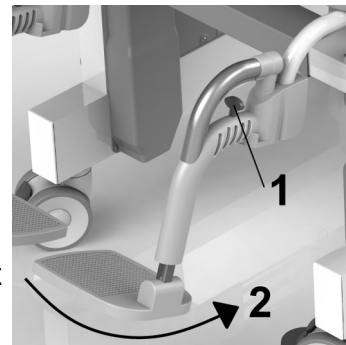


Ensure the front wheels are NOT locked facing inwards during use, the wheels should be facing outwards or forwards, this will ensure maximum stability and clearance.

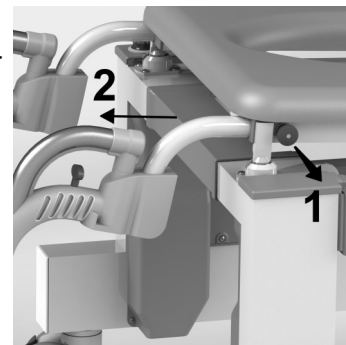
3.2 Footrests

The Komodo footrests can be folded outwards, the lower section can be removed and the entire footrest assembly can also be removed for maximum clearance during mounting and dismounting.

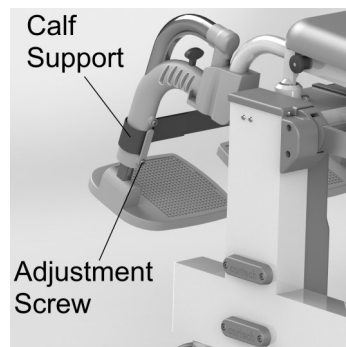
Lower Footrest—to swivel the footrest press the red lever (1) forwards and swing the footrest to one side (2), to remove the lower footrest in the rotated position lift it off the pivot. To refit the footrest place the lower section on the pivot and swing it into place, ensure the red lever locks into place.



Full Footrest—to remove the entire foot rest pull the plunger knob (1) on the side of the seat and slide the footrest assembly (2) forwards until it clears the seat. To refit the footrest pull the plunger knob and slide the footrest assembly into the seat frame, release the plunger knob and push the footrest assembly until it locks into place.



Height Adjustment— The height of the foot rest can be adjusted, however take care NOT adjust the footrest so that it hits the floor when tilted forwards. To check tilt the chair fully forwards when making the adjustment.



Calf Support—The Velcro calf support is fixed in place on the footrest as shown.



Always ensure the footrest is securely locked into place in both positions before moving the chair.

8.2 Sleep Setting

Sleep mode helps extend the battery life and help prevent accidental operation.

Chair Sleep Mode —If the chair is not moved for 30 minutes the system will enter sleep mode, to reactivate press any button on the controller.

Controller Sleep Mode—if the controller is not operated for 10 minutes it will enter sleep mode, to reactivate press any button on the controller.

8.3 Battery Indicator

Once the battery charge is reduced to a low level the remote LED will light red and the chair will emit a long beep, the chair will operate for approx. three move actions, you must recharge the battery or replace it with another charged battery at this time.



Always recharge or replace the battery once the low charge indicator is given.

9. Cleaning and Maintenance

Use a multi-surface sanitiser and cleaner which conforms to EN1276 to clean the Komodo, check the cleaner does not affect any parts of the chair prior to cleaning.

Ensure the cleaning product instructions are carefully followed.

All parts including underneath should be visibly clean with no blood and body substances, dust, dirt, debris or spillages.

Bacillo[®] Tissues

We recommend the use of Bacillo tissues for cleaning the Komodo, please follow the manufacturers instructions for this product.



Always ensure the Komodo is clean during and after use.

10. Storage and Transport

During storage and transport remove the battery and fit the battery bung into place. Always store the chair in a dry environment out of direct sunlight between the temperatures of -15°C and $+45^{\circ}\text{C}$. During transport do not expose the chair to shock, and vibration should be kept to a minimum.

If lifting the Komodo a minimum of two people must perform this, the Komodo should be supported via the lower frame.

6. Commode / Toilet Function

6.1 Description of Commode / Toilet Function

The Komodo can be positioned over a range of toilets including Geberit bidets, the program buttons allow a minimum height to be set when using these buttons allowing use over different height toilets.

6.2 Use of Commode / Toilet Function

Set the Komodo to the desired height, it is advisable to do this before the user is seated or use the program feature to set the correct height. Push the Komodo over the toilet and lock the wheels in the correct location (take care to make sure the front wheels are facing forwards or outwards). If in doubt always use a higher position initially and carefully adjust the height to the required level. For washing, the seat can be raised to give access.



The manual control buttons will NOT limit the minimum height.

The Komodo does not fit all toilets and bidets.

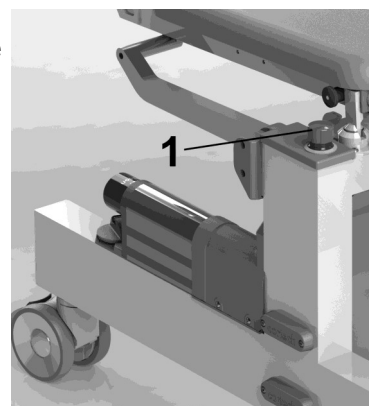
For use with a potty please see the potty accessory instruction sheet.

7 Shower Function

The Komodo can be used as a shower chair and allows the seat to be tilted backwards to facilitate this, ensure that the user has the lap belt or optional harness fitted whilst showering. One of the program buttons can be used to store the showering position regularly used. Ensure the Komodo is rinsed with clean water to remove any detergents after showering.



Ensure the lap belt is worn during showering.



8. Safety Features

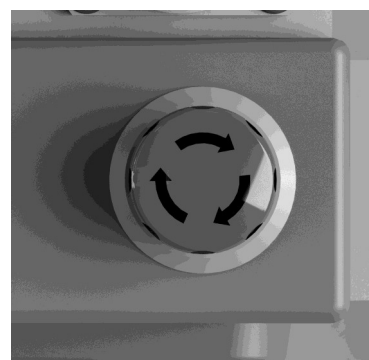
8.1 Emergency Stop

The emergency button (1) is located on the right hand side of the chair. If the chair exhibits any unusual actions or fails to stop moving press the button. The chair will stop when the button is pressed.



Operation of the chair can continue if the situation stabilises, to release the button turn it clockwise until it releases.

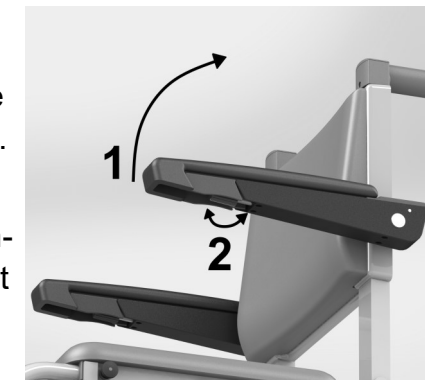
Only release the emergency stop if the problem has been resolved or danger ceased.



3.3 Arm Rests

The armrests can be lifted to a vertical position (1), the horizontal height can be adjusted by altering the angle.

Armrest adjustment—place the armrest in the horizontal position, a thumbwheel (2) is located under the armrest near to the front, rotate this wheel until the armrest is in the desired position.

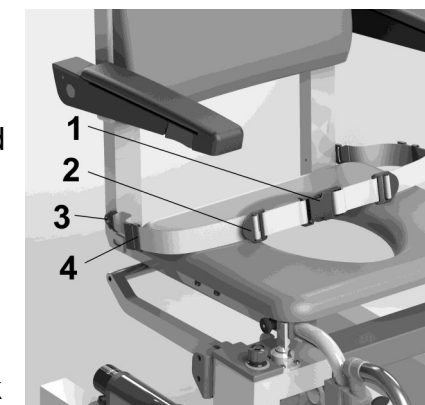


Ensure the armrests are in the lowered horizontal position when the chair is moving.

Never put excessive load or sit on the armrests.

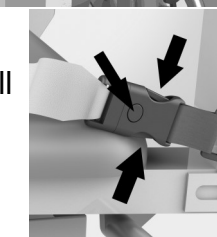
3.4 Lap Belt

The Komodo is supplied with a lap belt, the belt should be fitted whenever a user is seated in the chair. The buckle (1) can be released by pressing the clips at the top and bottom. To tighten the belt simply pull on the free end, both sides can be adjusted. To slacken the belt lift the adjuster (2) and pull forwards. The free end can be kept tidy using the slider (4). Periodically check that the belt mounting screw (3) is tight.



For cleaning the lap belt can be removed via the side buckle, press all three buttons to release.

The lap belt MUST ALWAYS be fitted when using the chair.



3.5 Seat Movement /

Controller

The seat can be moved upwards, downwards and tilted. There are two modes of operation, manual and programmed modes. The seat will only move whilst the button is being pressed.

Manual mode—The seat position can be adjusted using the controller up/down buttons, there are separate buttons for front, rear, up and down. This arrangement allows the seat programmed positions to be set accurately. Pressing two buttons simultaneously will move both directions, the buttons must be pressed within 1 second of each other (this is to prevent accidental two button operation).

Programmed Mode— once the seat position has been adjusted in manual mode, hold and press the central stop/program button for ten seconds until the LED's flash blue alternately, now press the button to be programmed, the LED's will stop flashing, the chair will beep and shake momentarily to indicate successful programming. There are four programmable buttons, each can be programmed to any position, the suggested positions are.

- O Mount
- OO Commode
- OOO Wash / Clean
- OOOO Dismount

When the seat is moving in programmed mode the system will calculate the speed so that the start and stop time for all actuators is identical, this provides a smoother transition for users.

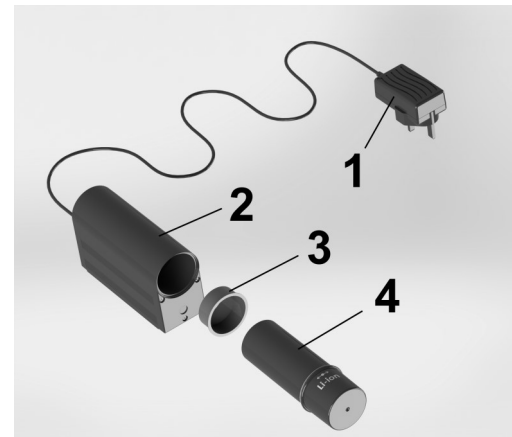


Before moving the chair ensure there are no persons or objects which could interfere with the movement.

4. Battery

4.1 Description of Battery System

The Komodo is fitted with a 24VDC—29VDC rechargeable Lithium Ion battery. The battery is removable from the chair and should be charged separately. This system allows multiple batteries to be charged and quickly swapped out of the chair.



4.2 Battery Charging

The Komodo battery is charged separately from the chair, the charger comprises a power supply (1) and battery housing unit (2), the power supply plugs directly into the wall socket and includes an LED showing charge status.

Red—battery charging

Green battery charged and ready for use.

Battery charging takes approx. 8 hours.

To charge, remove the red blanking plug (3), insert the battery (4) into the housing and align the arrow on the housing and dot on the battery, the battery contacts will automatically connect in this position.



The battery will not be charged unless the arrow and dot are aligned.



4.3 Battery Fitting

The battery is fitted to the chair battery housing in the same manner as the charger housing (see 4.2 above). If the battery bung is fitted remove this and place it in its holder adjacent to the battery housing. Insert the battery into the housing and align the arrow and dot, the battery will automatically connect and a beep will indicate the chair is now powered.

When replacing the battery bung a slight twist when inserting will ease fitting.



Never use the chair in a wet area without the battery or bung fitted.

When removing and replacing either the battery or bung ensure the area around the battery housing is dry.

Never leave an unfitted battery in a wet area.

Never short the battery pins together.



5. Mounting / Dismounting.

5.1 Description of Mounting / Dismounting Features.

The Komodo can be tilted forwards to facilitate and assist mounting and dismounting the seat, this assists users and assistants during this operation. The program buttons can be used to give different positions for each action, in general users require a slightly higher dismount position than the mounting position.

5.2 Mounting

Position the chair at the desired height and angle to allow easy mounting, the angle is usually slightly forward. Once the user is seated fit the lap belt and adjust the seat to the using position. The position is usually achieved using the program buttons but could be adjusted using the controller manual mode if needed.

5.3 Dismounting

Position the chair at the desired height and angle to allow easy dismounting, the angle is usually slightly forward. The position is usually achieved using the program button but could be adjusted manually if needed.



Ensure the mount and dismount seat angles are not such that the user could become unstable during the transition from standing to seating and vice-versa.

Always lock all the wheels prior to mounting or dismounting.