

AlumiRamp, Inc.

Quincy, MI 49082 Phone: 800.800.3864 517.639.8777 Fax: 800.753.7267 517.639.4314
www.alumiramp.com

Assembly Instructions for A*COM Ramping System

Your Ramping Order:

Your order will be shipped with the supports and rail components packaged inside the ramp package.

Check the order:

Make sure that all of the parts required are included in your shipment BEFORE going to the job site. A packing slip is included with your order. Please take the time to check that all of the parts arrived and are in good condition. If you have any damaged or missing parts that are listed on the packing slip, IMMEDIATELY call the carrier that delivered your order and note the damaged or missing parts.

Read the Instructions:

Take time to completely read the instructions on how to assemble the ramping system. It may answer some questions you have before you get to the job site. If you have any questions concerning the construction or installation of the ramping system, please feel free to call us at the factory. 1-800-800-3864.

End user Paperwork:

Included with the order is a Safety and Maintenance sheet that is intended to be given to the end user after the ramp is installed. It goes over basic safety and maintenance for the ramping system. Additional copies of this sheet are available by calling the AlumiRamp office.

Tools recommended for ramp installation:

Electric Screw Gun & philips bit
3/8 drive sockets - 7/16", 1/2", 9/16"
3/8" ratchet
7/16", 1/2", 9/16" wrenches
Drill bits - 7/32, 1/4, 5/16, 3/8, & 7/16
Masonry Bit - 5/16"
Tape Measure
Level
"C" type Vice Grips (3 recommended)
4" min grip range required
Dead Blow Hammer or Rubber Mallet
Can of Spray lubricant (similar to WD 40)
Safety Glasses
Flat file

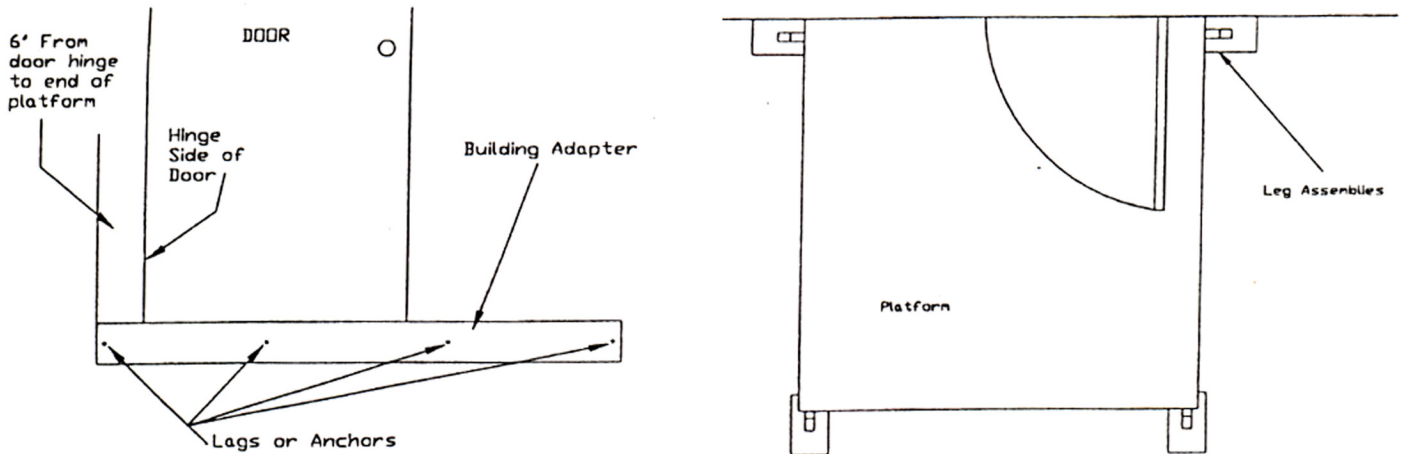
Optional Tools:

Shovel
Reciprocating Saw (just in case)
Pry Bar
Broom for clean up
Pencil or Marker
Extension Cord

Top Landing

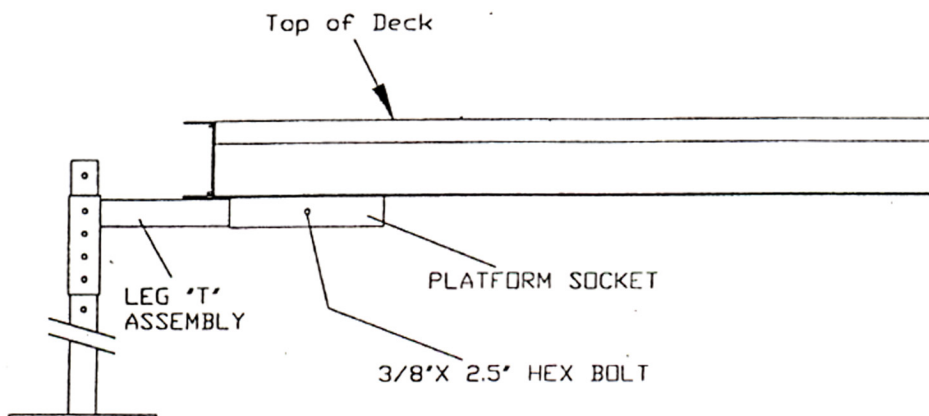
Locate the Platform that will be used at the top of the ramp system and move it to the area where it will be installed. You will notice that the platform will have 3 open sides and one side with the building adapter with 5 predrilled holes. Rotate the platform so that the side with the building adapter is facing the wall or structure that it will be attached to and lay it on the ground.

Insert one "Leg T Assembly" onto one of the two "platform sockets" that are welded to the underside of each corner of the landing as shown. Be sure that you insert the adapters on the sides to allow the platform to fit flush against the building and only one adapter is in each corner. (See below)

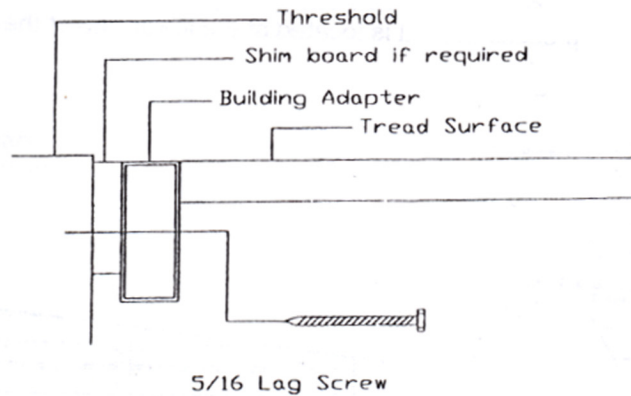


Align the hole in the Leg T Assembly and the platform socket and insert one (1) 3/8" x 2 1/2" hex bolt and secure it with a 3/8" hex nut. Repeat this step for all four corners of the platform.

Insert the legs into the "Leg T Assemblies" as shown and place one (1) 3/8" x 2 1/2" hex bolt through the "Leg T assembly" and the leg to hold it in place. (Do not tighten at this time.)

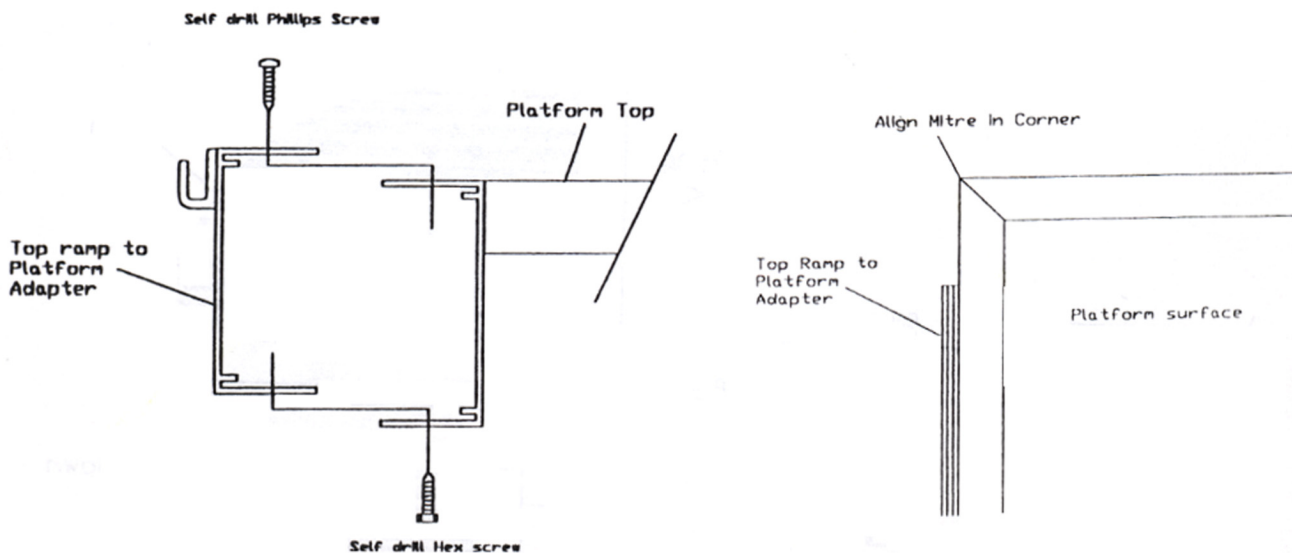


Move the platform next to the wall or structure to which it will be attached. Raise or lower the landing so that the walking surface is approximately 1/4" to 3/8" below the threshold of the door. (If there is no door, the landing should be flush with the existing walking surface.)



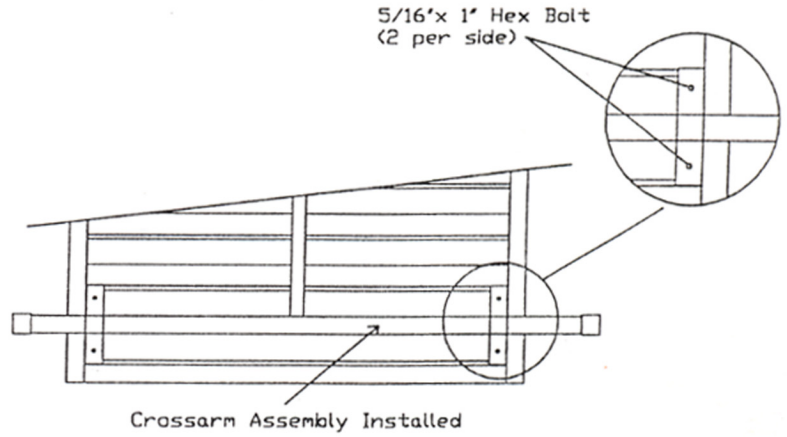
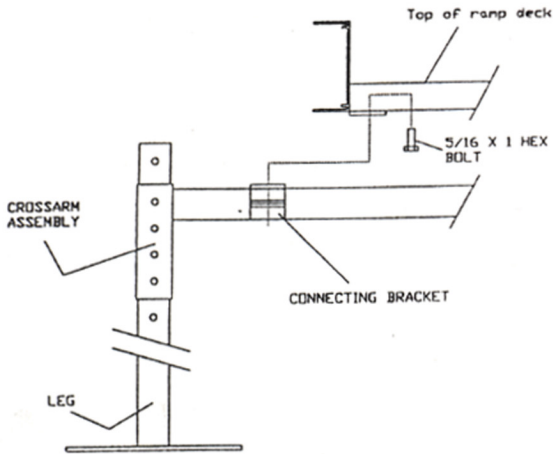
Level the landing by adjusting the legs in the "leg T adapter" and tighten the leg bolts. The legs are designed to sit directly on the ground surface and may be adjusted for uneven ground. The footpads are predrilled in case it is desired to lag these to a concrete pad but this is often not necessary.

Now secure the landing to the building or structure as shown using the fasteners provided. Attach the "ramp top adapter" to the side of the landing where the ramp(s) will be located using the self-drilling phillip drive screws supplied. Be sure that the outer corner of the adapter aligns with the outer corner of the landing. (See Detail)

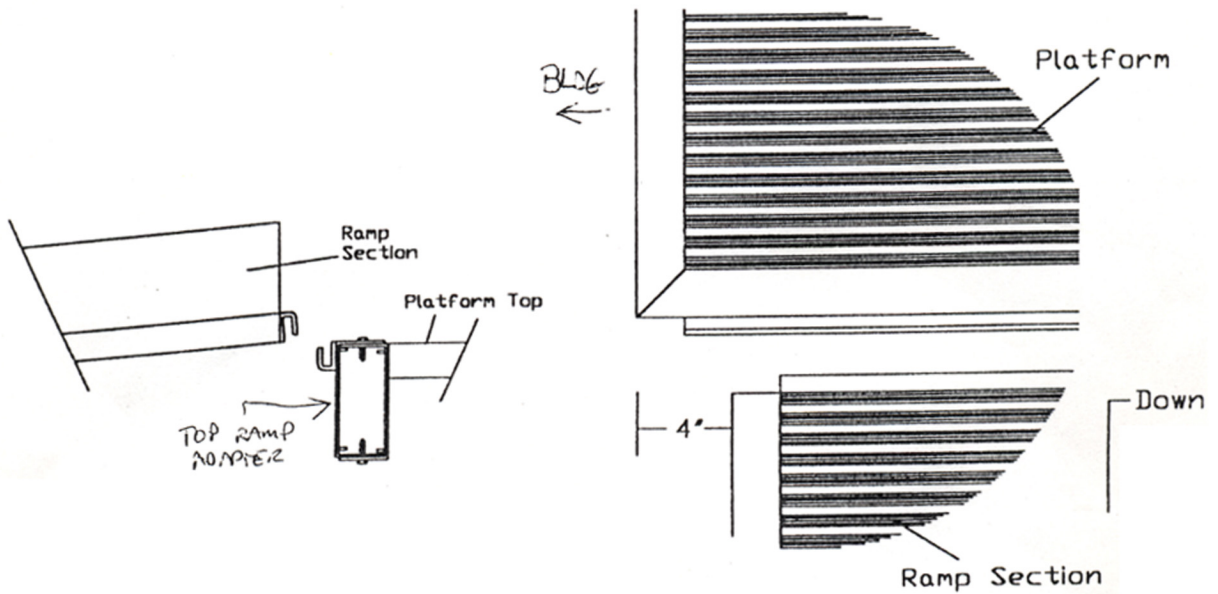


RAMPING RUN

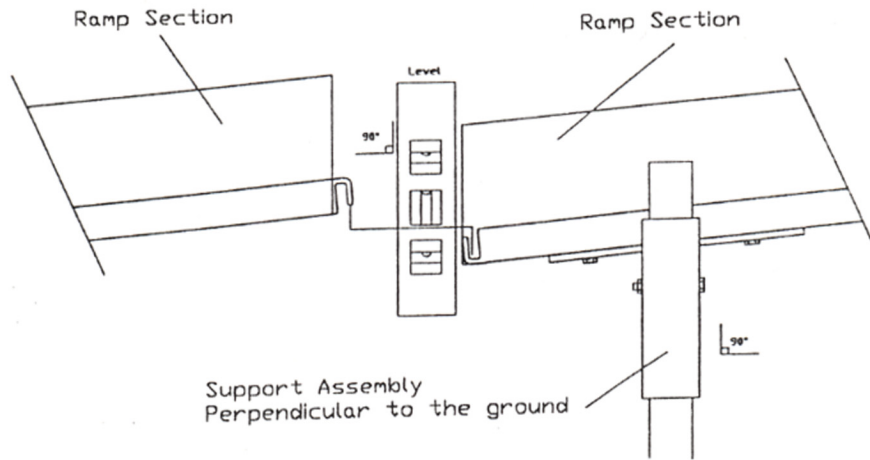
Locate and assemble the "Crossarm Assembly" parts and attach the Crossarm Assembly to the mounting plates welded to the underside of the ramp sections. Tighten the fasteners used here. NOTE: There is no "Crossarm Assembly" for the bottom ramp section, and there is only one (1) "Crossarm Assembly" per ramp section and it is located at the lower end of the ramps.



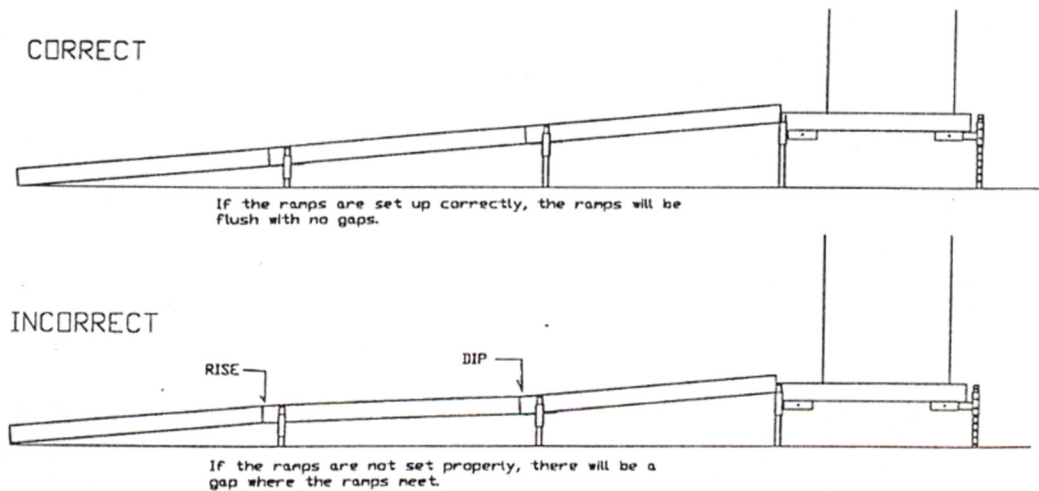
Locate and attach one (1) ramp section to the ramp top adapter that has been attached to the platform. Be sure to properly space the ramp edge in from the platform edge as shown. This will help in handrail installation.



At the opposite end of the ramp, insert one (1) leg into each end of the crossarm assembly (from the bottom) and adjust the ramp to the proper slope (1:12). Bolt the legs in place using the 3/8" x 2-3/4" hex bolts. Make sure that the legs are perpendicular to the ground. Do not tighten the leg bolts at this time.



Locate and attach each consecutive ramp to the previous one in the same manner and adjust to the proper slope. **IMPORTANT! KEEP ALL THE RAMPS ALIGNED PROPERLY ALONG THE OUTER EDGES.**



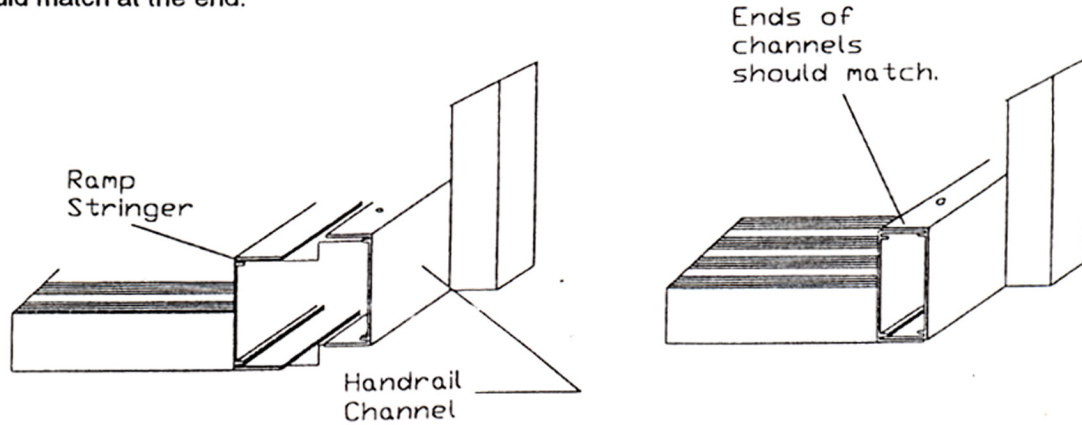
NOTE: ALTHOUGH THE SYSTEMS SHOWN MAY NOT MATCH YOURS THE PRINCIPLE IS THE SAME.

Notice: It is very important that the ramp surface is set at the proper slope (1:12) and that the ramp surface be straight. Any rises or dips in the ramping surface will cause extreme difficulty when installing the handrail system. It is also very important that the **handrails** for the ramps be installed starting with the lowest ramp and working toward the top of the ramp. Installing from the top down will result in extreme difficulties.

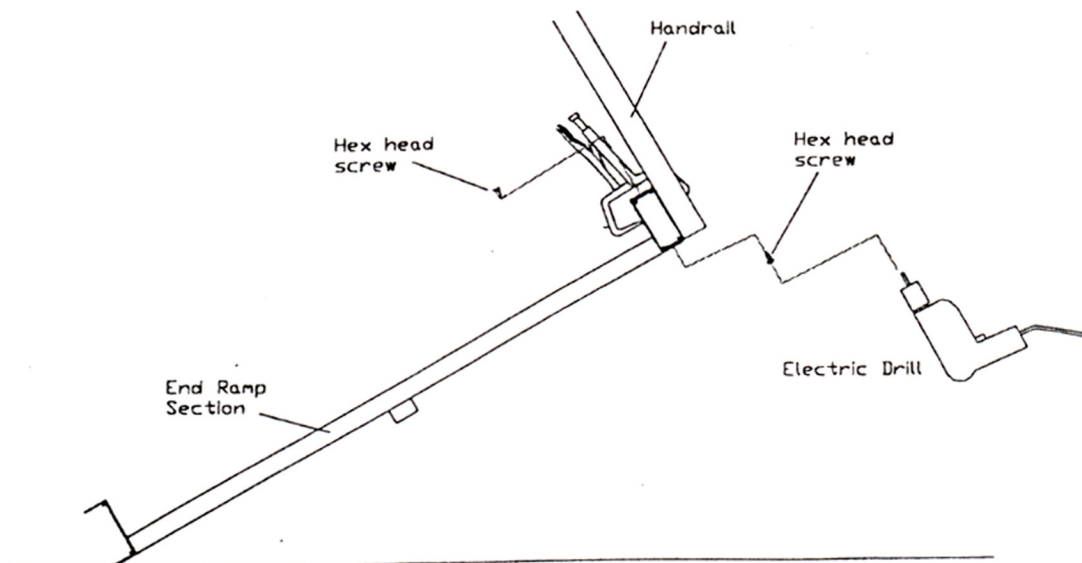
Handrails:

After the last section of ramp has been installed, locate the bottom ramp rails (with extension loops welded on) and attach the rail farthest from the building.

You will need a mallet, C-clamps and spray lubricant to attach the handrails to the side of the ramp sections. Insert the rail channel to the ramp channel as shown. The ends of the channels should match at the end.

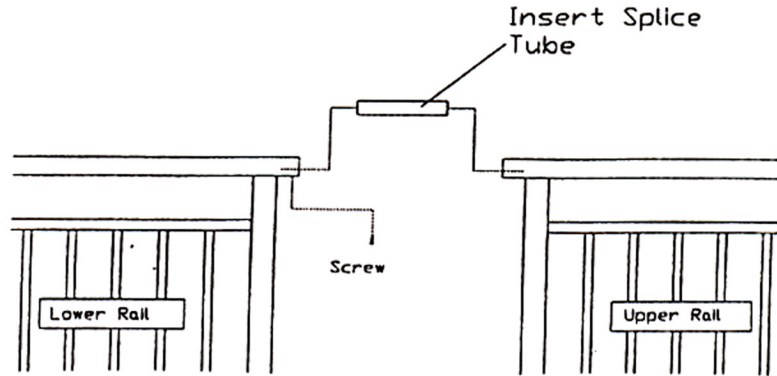


Tip and securely prop the ramp side farthest from the building. Secure the handrail to the ramp with the self-drill self-tap hex screws provided using the predrilled holes in the top AND bottom of the ramp. Repeat this step for the side nearest the building.

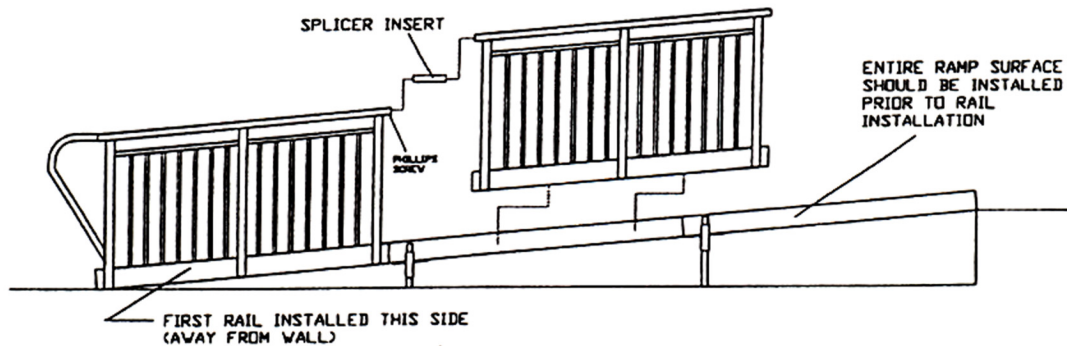


Replace the bottom ramp and rails and recheck the slope of the entire ramp system (1:12)

Insert one (1) 8" Insert Tube into each upper handrail tube on both sides. (See Detail) and secure with the #8 x 5/8" screws drilling up through the rail and into the Insert Tube. Only secure the lower rail as shown.

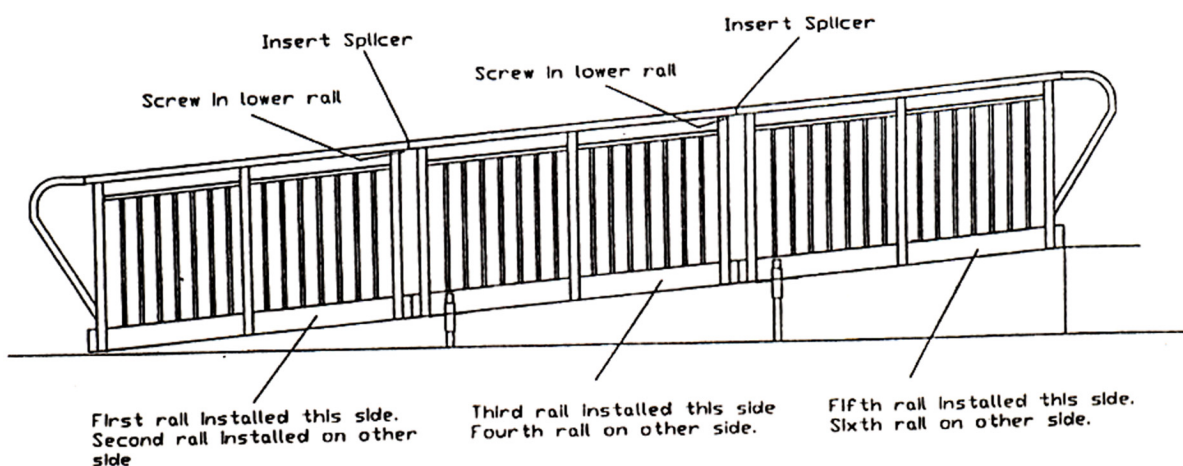


Locate and secure the next handrails as shown on the plan view. (NOTE: Tipping the ramps is no longer required.) When all the ramp handrails are installed and secured, re-check the slope and tighten any remaining bolts. Be sure that all fasteners are used where specified.

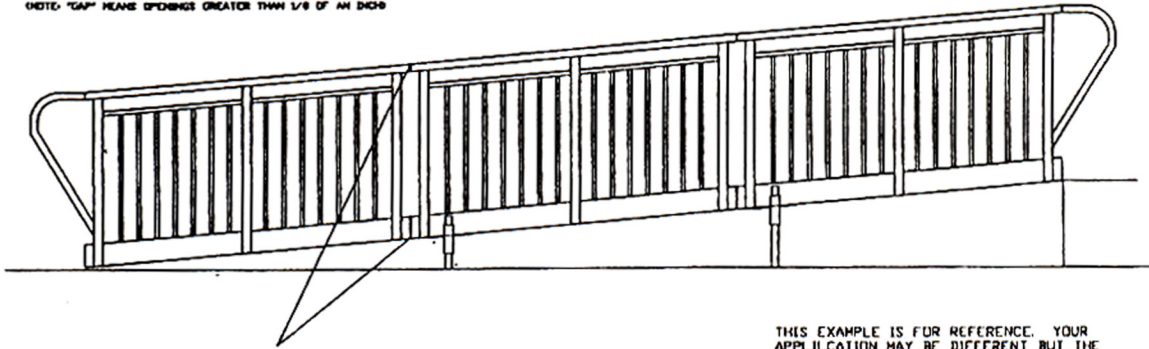


ALTHOUGH THIS MAY NOT REPRESENT YOUR RAMP CONFIGURATION, THE PRINCIPLES ARE THE SAME.

This drawing is for reference. Your application may be different but the principle is the same.



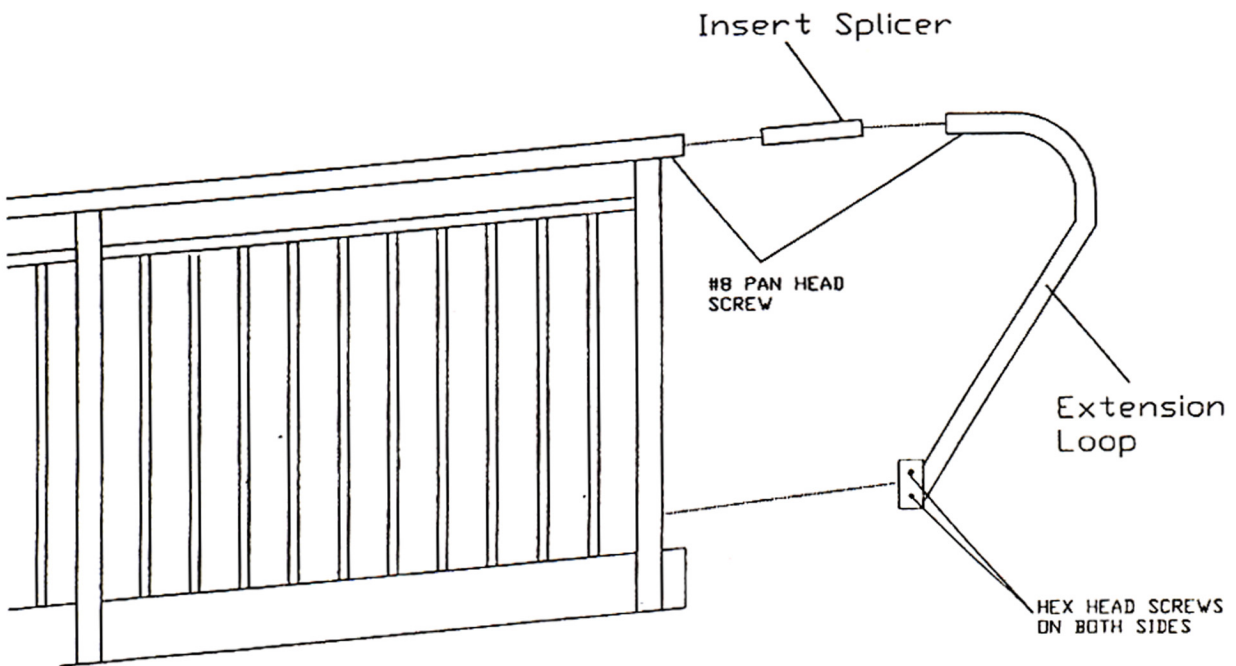
When ramp is installed, adjust the system as shown below.
NOTE: GAP BEING OPENING GREATER THAN 1/8 OF AN INCH



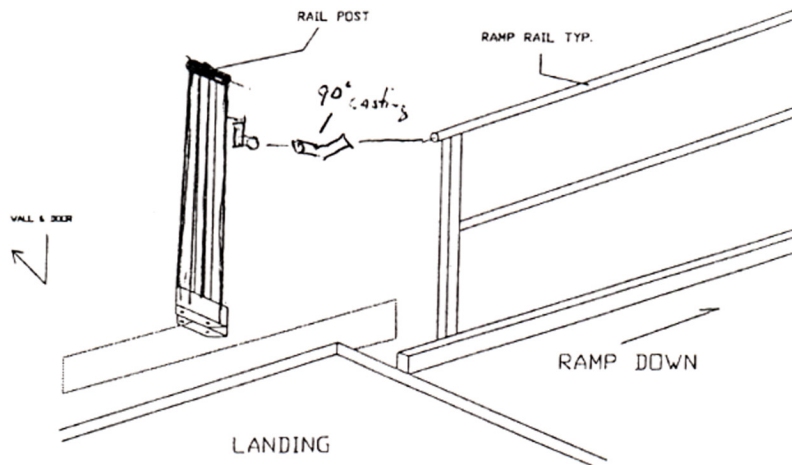
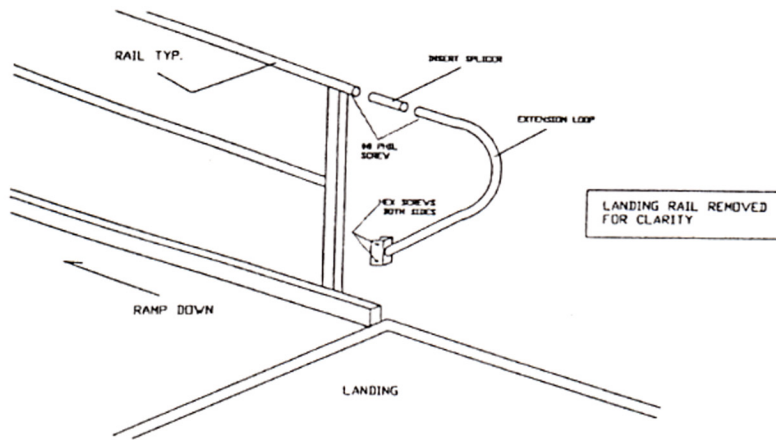
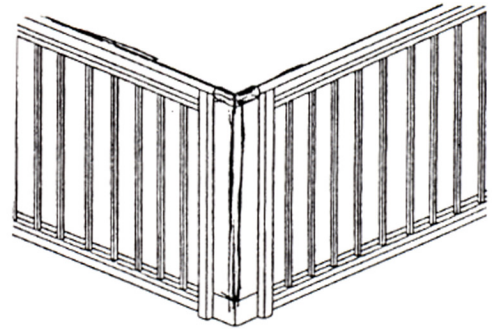
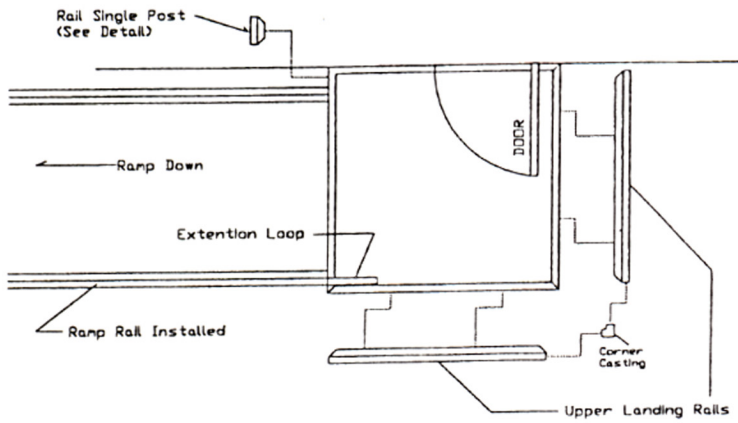
IF A GAP IS AT THE TOP AND NONE AT THE BOTTOM, THE RAMP NEEDS TO BE ADJUSTED DOWN.

THIS EXAMPLE IS FOR REFERENCE. YOUR APPLICATION MAY BE DIFFERENT BUT THE PRINCIPLE IS THE SAME.

The upper ramp rails which end at landings get removable extension loops. Secure the loops to the ramp rails using the #8 screws provided.



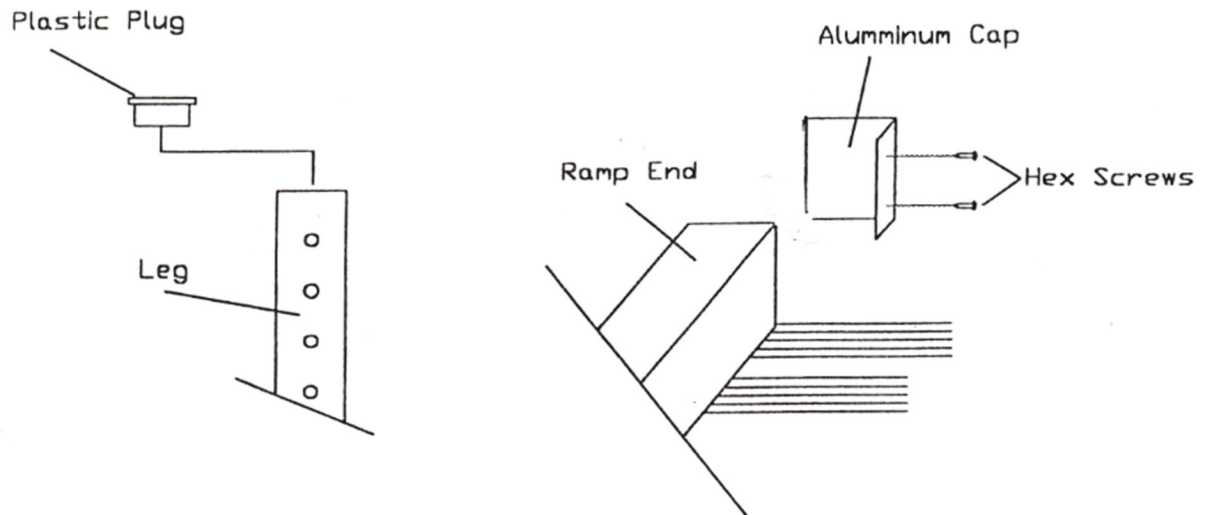
Attach the landing guardrails in similar fashion to how the ramp rails were attached. See plan view for landing rail locations.



When the landing rails are secured, recheck the slope and be sure that all fasteners are tightened.

Attach the "End Caps" to the ends of the upper ramp channels using the self-drill screws as shown below.

Insert the black plastic caps into the tops of the support legs.



A*COM ramp system

INSTALLATION

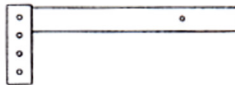
description

Ramp Crossarm
Attaches at the bottom end of each ramp for the legs.

drawing



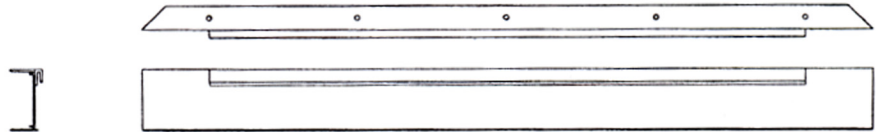
Leg T Adapter
Attaches to the pockets under the platforms.



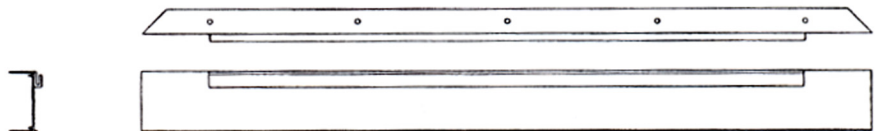
Under Plat Leg Adapter
Attaches to the pockets under platforms when it is necessary to place legs under the platform.



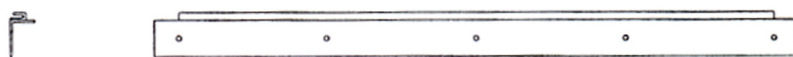
Plat to Ramp Adapter
Attaches to a platform for a ramp going up.



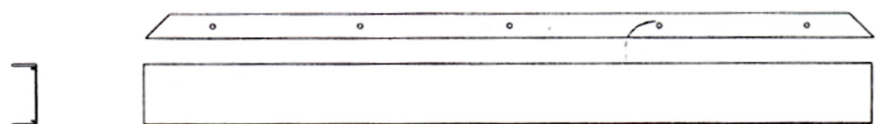
Ramp to Plat Adapter
Attaches to a platform for a ramp going down.



Ramp to Porch Adapter
Attaches to an existing porch for a ramp to attach to.



Top Adapter
Attaches to a building and to a platform to form a top.



bridging the gap.

A*COM ramp system

description

I Beam

Joins two platforms together.

drawing



Handrail Bracket

Attaches to the rail post and extra handrails or childrails.



Bracket Angle

Joins two guardrails together at the corner of a platform.



Insert

Joins two grasping handrails.



Stringer Cap Top

Caps the opening at the end of a ramp curb.



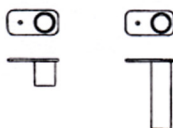
Stringer Cap Bottom

Caps the opening at the end of a starter ramp curb.



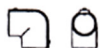
Handrail Connector

For returning handrails to a post.



90° Casting

Turns handrails.



bridging the gap.